

Rittal – The System.

Faster – better – worldwide.

WM Wallmount Enclosures



ENCLOSURES

POWER DISTRIBUTION

CLIMATE CONTROL

IT INFRASTRUCTURE

SOFTWARE & SERVICES



WM Wallmount Enclosures

Definition of a Wallmount Enclosure

Enclosure that houses power distribution or control equipment

Wire/Cable entry capability on top, bottom and sides

- By drilling holes for cable glands or conduit
- By existing knockouts for cable glands or conduit

Material

- Steel: carbon and stainless
- Aluminum: rolled and cast
- Non-Metallic: polycarbonate and fiberglass

Safety

- Avoiding contact with electrical connections

Security

- Protection from environmental elements
- Tamperproof



WM Wallmount Enclosures

WM Wallmount Variations

Standard carbon steel WM

- One and two door versions available

Stainless steel WM

- Greater corrosion protection
- Type 304 & 316L

Flange mount disconnect (FMD) WM

- Universal disconnect cutout
- Carbon steel and stainless steel versions available

Slope Top WMS

- 20-degree overhanging sloped roof
- 304 & 316L stainless steel



WM Wallmount Enclosures

Configuration

Material

- Thickness
 - Enclosures 12x12 thru 24x20 inch (300x300 thru 600x500 mm) have 16 ga door and 16 ga body
 - Enclosures 24x24 thru 36x24 inch (600x600 thru 900x600mm) have 14 ga door and 16 ga body
 - Enclosures greater than 36x24 inch (900x600 mm) have 14 ga door and 14 ga body
- Finish
 - Carbon steel
 - Powder painted RAL 7035, light grey
 - 304 / 316L Stainless steel
 - #4 brushed finish

WM Wallmount Enclosures

Configuration

Door

- Double Door
 - Enclosures with width \geq 42 inch (1050 mm)
- Hinging
 - Left-hand discrete hinging
 - Two - 130° Hinges for enclosures less than 36 inches (900mm) tall
 - Three - 130° Hinges for 36 thru 42 inch (760 thru 1050 mm) tall enclosures
 - Four - 130° Hinges for enclosures greater than 42 inches (760mm) tall
 - Door is easily removed for making modifications via quick release hinge pins.
 - 180° hinges available



WM Wallmount Enclosures

Configuration

Door

- Latching

- Carbon steel

- One door height < 20 inches (500 mm)

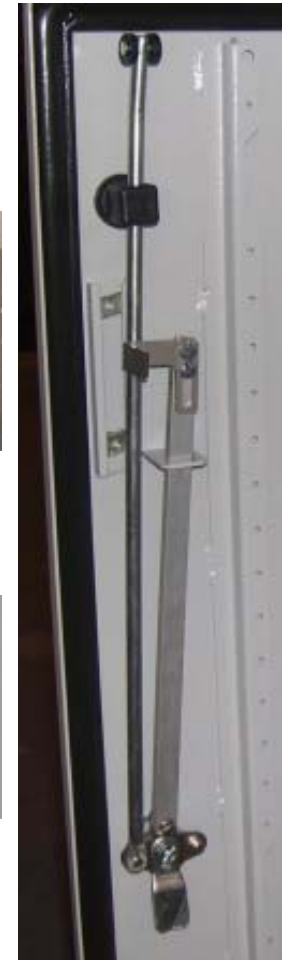
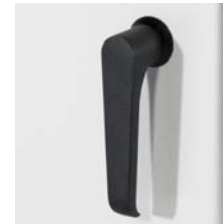
- 1 x die cast zinc, flat-head screw driver insert

- One door height 20 thru 39 inches (500 thru 1000 mm)

- 2 x die cast zinc, flat-head screw driver insert

- One door height > 39 inches (1000 mm) tall or two door or FMD version

- 2 or 3-pt locking L-handle

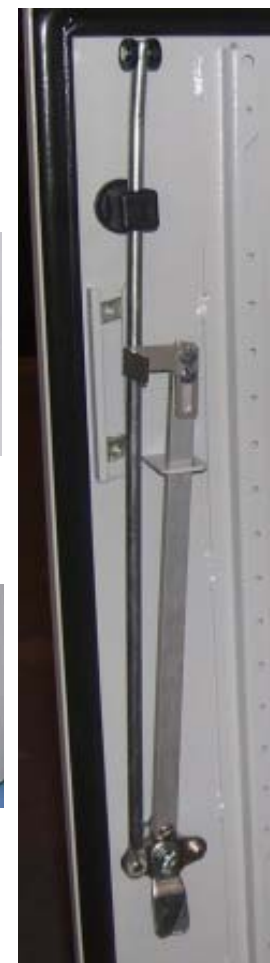


WM Wallmount Enclosures

Configuration

Door

- Latching (continued)
 - 304 / 316L Stainless steel
 - One door < 20 inches (500 mm) tall
 - 1 x SS, spring loaded, flat-head screw driver insert
 - One door 20 thru 39 inch (500 thru 1000 mm) tall
 - 2 x SS, spring loaded, flat-head screw driver inserts
 - One door > 39 inch (1000 mm) tall or two door or FMD version
 - 2 or 3-pt locking SS L-handle



WM Wallmount Enclosures

Configuration

Door

- Grounding
 - Carbon steel – grounding at stiffener
 - 304/316L stainless steel – one, M6 threaded stud on inside of door
- Foamed-in-place gasket
 - No seams
 - 97% Compression recovery
 - Solvent resistant, test results available for 70+ chemicals/fluids
 - Temperature resistance, 350 °F for up to 30 minutes, operating temperature range of –40 °F to 140 °F
 - Cut resistant from blunt objects



WM Wallmount Enclosures

Configuration

Door

- Stiffener
 - Z-style stiffener
 - Carbon steel, one-door, $H < 36$ inch (900mm)
 - Carbon steel, two door $H \leq 36$ inch (900 mm)
 - hinge sides only
 - Carbon steel, two door $H > 36$ inch (900 mm)
 - RH door with stiffener on hinge side
 - LH door with 2 stiffeners
 - Square stiffener
 - Carbon and stainless steel, one door $H \geq 36$ inch (900mm)

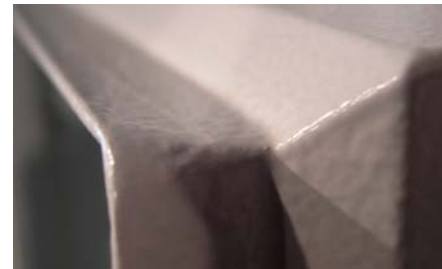


WM Wallmount Enclosures

Configuration

Body

- Uni-body construction
 - All but largest versions are constructed from a single piece of sheet steel for optimum strength.
 - Flange-trough collar around front opening channels water, dust, debris away from opening and door gasket.
- Roof
 - Slope top features a 20-degree overhanging roof that prevents water and other particulates from accumulating on top of enclosure and door seal.



WM Wallmount Enclosures

Configuration

Body

- Internal
 - Zinc plated mounting panel included.
 - 14-11 ga. (2.0-3.0 mm) thick
 - Carbon steel - secured by M8 threaded “Tucker” weld nuts.
 - Stainless steel – secured by M8 threaded CD weld nuts.
 - Non-FMD enclosures 36x36 inch (900x900 mm) and greater have panels with vertical edges folded.
 - FMD enclosures 24x22 inch (600x550 mm) and greater have panels with vertical edges folded.



WM Wallmount Enclosures

Configuration

Body

- Internal (continued)
 - Internal M8 threaded ground stud included.
 - Two ground studs for 2-door WM enclosures.
 - 13 mm diameter drain hole in carbon steel version for NEMA 3R applications. Rubber plug is included in the hardware bag for NEMA 12 & 4 applications.
 - Four M8 threaded studs for installation of dead front kits on stainless versions.

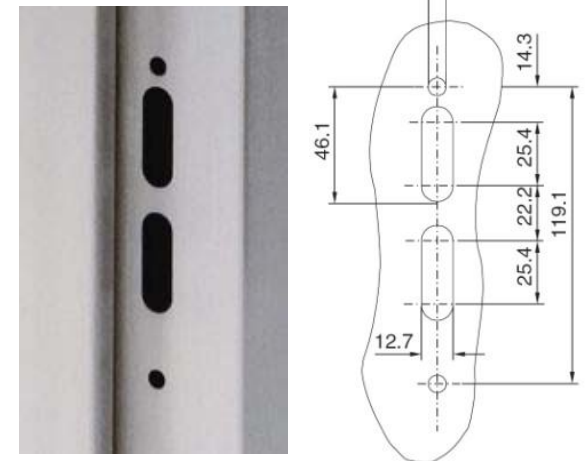


WM Wallmount Enclosures

Configuration

Body

- Wall/Machine Mounting
 - Mounting holes are located 0.79" (20 mm) square off each corner of the enclosure
 - Carbon steel – four, (0.31") 8 mm diameter thru-holes for attachment to wall-mount brackets are centered within 2 mm recessed/embossed circles
 - Six thru-holes for 2-door WM enclosures
 - 304/316L Stainless steel – four, M8 threaded “riv-nuts” maintain enclosure seal
- Flange Mount Disconnect Version
 - Universal cutout on right side of door for mounting disconnect handles of systems less than 200A.



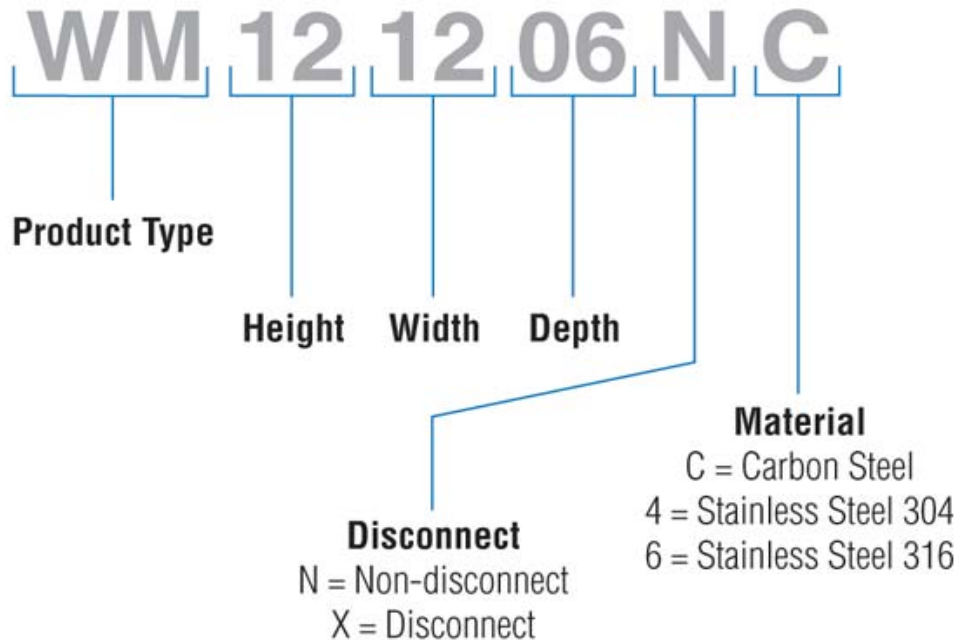
WM Wallmount Enclosures

Product Line

Part Number Scheme*

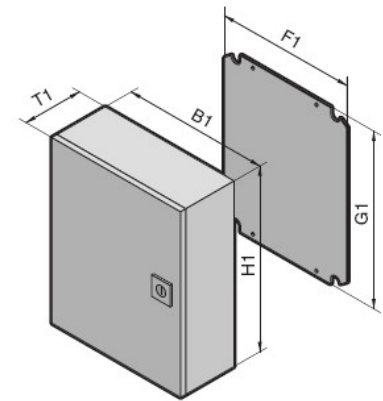
- *Slope Top product type designation “WMS”

UNDERSTANDING THE PART NUMBER



WM Wallmount Enclosures

Product Line



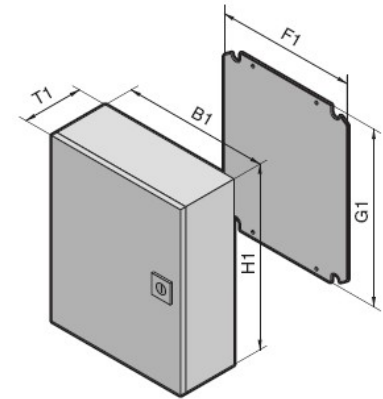
Available Sizes

- 55 single door and 8 double door sizes available
 - 6" (150mm) deep single door shown

Part No. CS	Part No. 304	Part. No. 316L	H1 in. (mm)	B1 in. (mm)	T1 in. (mm)	G1 in. (mm)	F1 in. (mm)
WM121206NC	WM121206N4	WM121206N6	12 (300)	12 (300)	06 (150)	11 (275)	10 (254)
WM161206NC	WM161206N4	WM161206N6	16 (400)	12 (300)	06 (150)	15 (375)	10 (254)
WM161606NC	WM161606N4	WM161606N6	16 (400)	16 (400)	06 (150)	15 (375)	14 (354)
WM162006NC	-	-	16 (400)	20 (500)	06 (150)	15 (375)	18 (449)
WM201606NC	WM201606N4	WM201606N6	20 (500)	16 (400)	06 (150)	19 (475)	14 (354)
WM202006NC	WM202006N4	WM202006N6	20 (500)	20 (500)	06 (150)	19 (475)	18 (449)
WM241606NC	-	-	24 (600)	16 (400)	06 (150)	22 (570)	14 (354)
WM242006NC	-	-	24 (600)	20 (500)	06 (150)	22 (570)	18 (449)
WM242406NC	-	-	24 (600)	24 (600)	06 (150)	22 (570)	22 (549)
WM302406NC	-	-	30 (760)	24 (600)	06 (150)	29 (730)	22 (549)

WM Wallmount Enclosures

Product Line



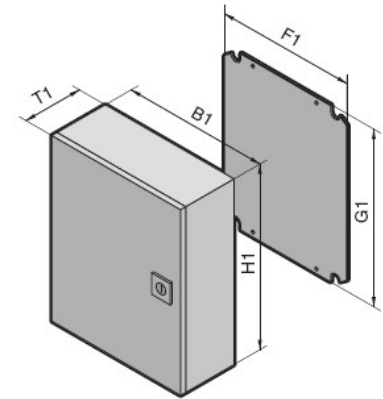
Available Sizes

- 55 single door and 8 double door sizes available
 - 8" (200mm) deep single door shown

Part No. CS	Part No. 304	Part. No. 316L	H1 in. (mm)	B1 in. (mm)	T1 in. (mm)	G1 in. (mm)	F1 in. (mm)
WM161208NC	WM161208N4	WM161208N6	16 (400)	12 (300)	08 (210)	15 (375)	10 (254)
WM161608NC	-	-	16 (400)	16 (400)	08 (210)	15 (375)	14 (354)
WM162008NC	-	-	16 (400)	20 (500)	08 (210)	15 (375)	18 (449)
WM201608NC	WM201608N4	WM201608N6	20 (500)	16 (400)	08 (210)	19 (475)	14 (354)
WM202008NC	WM202008N4	WM202008N6	20 (500)	20 (500)	08 (210)	19 (475)	18 (449)
WM202408NC	-	-	20 (500)	24 (600)	08 (210)	19 (475)	22 (549)
WM241608NC	WM241608N4	WM241608N6	24 (600)	16 (400)	08 (210)	22 (570)	14 (354)
WM242008NC	WM242008N4	WM242008N6	24 (600)	20 (500)	08 (210)	22 (570)	18 (449)
WM242408NC	WM242408N4	WM242408N6	24 (600)	24 (600)	08 (210)	22 (570)	22 (549)
WM243008NC	-	-	24 (600)	30 (760)	08 (210)	22 (570)	28 (704)
WM302008NC	-	-	30 (760)	20 (500)	08 (210)	29 (730)	18 (449)
WM302408NC	WM302408N4	WM302408N6	30 (760)	24 (600)	08 (210)	29 (730)	22 (549)
WM303008NC	WM303008N4	WM303008N6	30 (760)	30 (760)	08 (210)	29 (730)	28 (704)
WM362408NC	WM362408N4	WM362408N6	36 (900)	24 (600)	08 (210)	34 (870)	22 (549)
WM363008NC	WM363008N4	WM363008N6	36 (900)	30 (760)	08 (210)	34 (870)	28 (704)
WM363608NC	-	-	36 (900)	36 (900)	08 (210)	34 (870)	33 (840)
WM423008NC	-	-	42 (1050)	30 (760)	08 (210)	40 (1025)	28 (704)
WM423608NC	-	-	42 (1050)	36 (900)	08 (210)	40 (1025)	33 (840)
WM483608NC	-	-	48 (1200)	36 (900)	08 (210)	45 (1155)	33 (840)

WM Wallmount Enclosures

Product Line



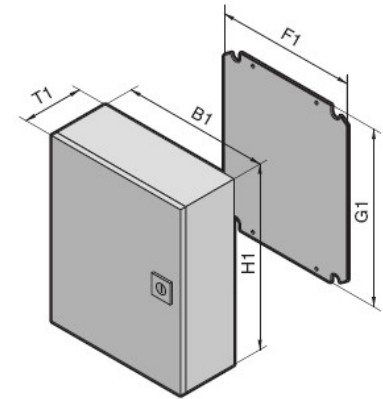
Available Sizes

- 55 single door and 8 double door sizes available
 - 10" (250mm) deep single door shown

Part No. CS	Part No. 304	Part. No. 316L	H1 in. (mm)	B1 in. (mm)	T1 in. (mm)	G1 in. (mm)	F1 in. (mm)
WM202010NC	-	-	20 (500)	20 (500)	10 (250)	19 (475)	18 (449)
WM242010NC	WM242010N4	WM242010N6	24 (600)	20 (500)	10 (250)	22 (570)	18 (449)
WM242410NC	-	-	24 (600)	24 (600)	10 (250)	22 (570)	22 (549)
WM302410NC	WM302410N4	WM302410N6	30 (760)	24 (600)	10 (250)	29 (730)	22 (549)
WM303010NC	WM303010N4	WM303010N6	30 (760)	30 (760)	10 (250)	29 (730)	28 (704)
WM362410NC	-	-	36 (900)	24 (600)	10 (250)	34 (870)	22 (549)
WM363010NC	WM363010N4	WM363010N6	36 (900)	30 (760)	10 (250)	34 (870)	28 (704)
WM423610NC	-	-	42 (1050)	36 (900)	10 (250)	40 (1025)	33 (840)
WM483610NC	WM483610N4	WM483610N6	48 (1200)	36 (900)	10 (250)	45 (1155)	33 (840)
WM603610NC	-	-	60 (1500)	36 (900)	10 (250)	57 (1455)	33 (840)

WM Wallmount Enclosures

Product Line



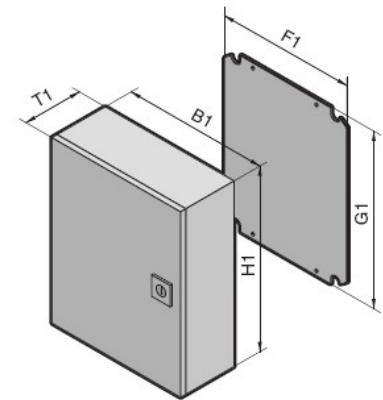
Available Sizes

- 55 single door and 8 double door sizes available
 - 12” (300mm) to 20” (500mm) deep single door shown

Part No. CS	Part No. 304	Part. No. 316L	H1 in. (mm)	B1 in. (mm)	T1 in. (mm)	G1 in. (mm)	F1 in. (mm)
WM202012NC	-	-	20 (500)	20 (500)	12 (210)	19 (475)	18 (449)
WM242012NC	WM242412N4	WM242412N6	24 (600)	20 (500)	12 (300)	22 (570)	18 (449)
WM242412NC	-	-	24 (600)	24 (600)	12 (300)	22 (570)	22 (549)
WM302412NC	WM302412N4	WM302412N6	30 (760)	24 (600)	12 (300)	29 (730)	22 (549)
WM303012NC	-	-	30 (760)	30 (760)	12 (300)	29 (730)	28 (704)
WM362412NC	-	-	36 (900)	24 (600)	12 (300)	34 (870)	22 (549)
WM363012NC	WM363012N4	WM363012N6	36 (900)	30 (760)	12 (300)	34 (870)	28 (704)
WM363612NC	WM363612N4	WM363612N6	36 (900)	36 (900)	12 (300)	34 (870)	33 (840)
WM423612NC	WM423612N4	WM423612N6	42 (1050)	36 (900)	12 (300)	40 (1025)	33 (840)
WM483612NC	WM483612N4	WM483612N6	48 (1200)	36 (900)	12 (300)	45 (1155)	33 (840)
WM603612NC	WM603612N4	WM603612N6	60 (1500)	36 (900)	12 (300)	57 (1455)	33 (840)
WM363016NC	WM363016N4	WM363016N6	36 (900)	30 (760)	16 (400)	34 (870)	28 (704)
WM483616NC	WM483616N4	WM483616N6	48 (1200)	36 (900)	16 (400)	45 (1155)	33 (840)
WM603616NC	WM603616N4	WM603616N6	60 (1500)	36 (900)	16 (400)	57 (1455)	33 (840)
WM302420NC	-	-	30 (760)	24 (600)	20 (500)	29 (730)	22 (549)
WM483620NC	-	-	48 (1200)	36 (900)	20 (500)	45 (1155)	33 (840)

WM Wallmount Enclosures

Product Line



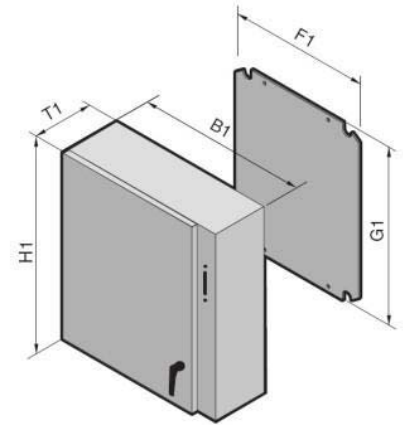
Available Sizes

- 55 single door and 8 double door sizes available
 - Double door sizes shown

Part No. CS	Part No. 304	Part. No. 316L	H1 in. (mm)	B1 in. (mm)	T1 in. (mm)	G1 in. (mm)	F1 in. (mm)
WM244208NC	-	-	24 (600)	42 (1050)	08 (210)	22 (570)	39 (1000)
WM304210NC	-	-	30 (760)	42 (1050)	10 (250)	29 (730)	39 (1000)
WM304810NC	-	-	30 (760)	48 (1200)	10 (250)	29 (730)	45 (1150)
WM364212NC	-	-	36 (900)	42 (1050)	12 (300)	34 (870)	39 (1000)
WM364812NC	-	-	36 (900)	48 (1200)	12 (300)	34 (870)	45 (1150)
WM366012NC	-	-	36 (900)	60 (1500)	12 (300)	34 (870)	57 (1450)
WM426012NC	-	-	42 (1050)	60 (1500)	12 (300)	39 (1000)	57 (1450)
WM484812NC	-	-	48 (1200)	48 (1200)	12 (300)	45 (1155)	45 (1150)

WM Wallmount Enclosures

Product Line



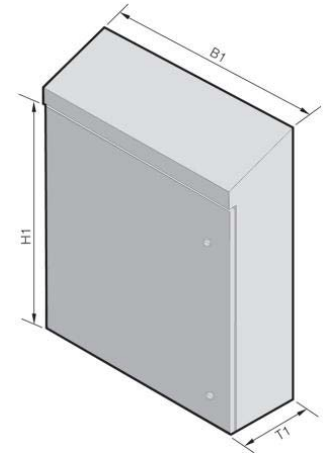
Available Sizes

- 15 carbon steel FMD sizes available
- 9 stainless steel FMD sizes available

Part No. CS	Part No. 304	Part. No. 316L	H1 in. (mm)	B1 in. (mm)	T1 in. (mm)	G1 in. (mm)	F1 in. (mm)
WM202208XC	-	-	20 (500)	22 (550)	08 (210)	19 (475)	18 (449)
WM242208XC	-	-	24 (600)	22 (550)	08 (210)	22 (570)	18 (449)
WM242608XC	WM242608X4	WM242608X6	24 (600)	26 (650)	08 (210)	22 (570)	22 (549)
WM302608XC	-	-	30 (760)	26 (650)	08 (210)	29 (730)	22 (549)
WM302612XC	-	-	30 (760)	26 (650)	12 (300)	29 (730)	22 (549)
WM363208XC	WM363208X4	WM363208X6	36 (900)	32 (825)	08 (210)	34 (870)	28 (704)
WM363210XC	WM363210X4	WM363210X6	36 (900)	32 (825)	10 (250)	34 (870)	28 (704)
WM363212XC	WM363212X4	WM363212X6	36 (900)	32 (825)	12 (300)	34 (870)	28 (704)
WM423212XC	WM423212X4	WM423212X6	42 (1050)	32 (825)	12 (300)	40 (1025)	28 (704)
WM423812XC	-	-	42 (1050)	38 (975)	12 (300)	40 (1025)	33 (840)
WM483812XC	WM483812X4	WM483812X6	48 (1200)	38 (975)	12 (300)	45 (1155)	33 (840)
WM483816XC	WM483816X4	WM483816X6	48 (1200)	38 (975)	16 (400)	45 (1155)	33 (840)
WM603810XC	WM603810X4	WM603810X6	60 (1500)	38 (975)	10 (250)	57 (1455)	33 (840)
WM603812XC	WM603812X4	WM603812X6	60 (1500)	38 (975)	12 (300)	57 (1455)	33 (840)
WM603816XC	-	-	60 (1500)	38 (975)	16 (400)	57 (1455)	33 (840)

WM Wallmount Enclosures

Product Line



Available Sizes

- 18 stainless steel slope top sizes available

Part No. CS	Part No. 304	Part. No. 316L	H1 in. (mm)	B1 in. (mm)	T1 in. (mm)	G1 in. (mm)	F1 in. (mm)
-	WMS161208N4	WMS161208N6	16 (400)	12 (300)	08 (210)	15 (375)	10 (254)
-	WMS161608N4	WMS161608N6	16 (400)	16 (400)	08 (210)	15 (375)	14 (354)
-	WMS201608N4	WMS201608N6	20 (500)	16 (400)	08 (210)	19 (475)	14 (354)
-	WMS202008N4	WMS202008N6	20 (500)	20 (500)	08 (210)	19 (475)	18 (449)
-	WMS242008N4	WMS242008N6	24 (600)	20 (500)	08 (210)	22 (570)	18 (449)
-	WMS242408N4	WMS242408N6	24 (600)	24 (600)	08 (210)	22 (570)	22 (549)
-	WMS302408N4	WMS302408N6	30 (760)	24 (600)	08 (210)	29 (730)	22 (549)
-	WMS303008N4	WMS303008N6	30 (760)	30 (760)	08 (210)	29 (730)	28 (704)
-	WMS363008N4	WMS363008N6	36 (900)	30 (760)	08 (210)	34 (870)	28 (704)
-	WMS201612N4	WMS201612N6	20 (500)	16 (400)	12 (300)	19 (475)	14 (354)
-	WMS202012N4	WMS202012N6	20 (500)	20 (500)	12 (300)	19 (475)	18 (449)
-	WMS242412N4	WMS242412N6	24 (600)	24 (600)	12 (300)	22 (570)	22 (549)
-	WMS302412N4	WMS302412N6	30 (760)	24 (600)	12 (300)	29 (730)	22 (549)
-	WMS363012N4	WMS363012N6	36 (900)	30 (760)	12 (300)	34 (870)	28 (704)
-	WMS363612N4	WMS363612N6	36 (900)	36 (900)	12 (300)	34 (870)	33 (840)
-	WMS363016N4	WMS363016N6	36 (900)	30 (760)	16 (400)	34 (870)	28 (704)
-	WMS483616N4	WMS483616N6	48 (1200)	36 (900)	16 (400)	45 (1155)	33 (840)
-	WMS603616N4	WMS603616N6	60 (1500)	36 (900)	16 (400)	57 (1455)	33 (840)

WM Wallmount Enclosures

Certifications

Certifications

- UL listed to US and Canadian standards
 - Carbon steel – Type 1, 3R, 12, 4
 - 2 door version Type 1,12 only
 - Stainless steel 304 / 316L – Type 1, 3R, 12, 4X
- Basic definitions of UL types per UL 50 and UL508A
 - Type 1 – Indoor use primarily to provide protection against contact with the enclosed equipment and against a limited amount of falling dirt.
 - Type 3R – Outdoor use to provide a degree of protection against windblown dust and windblown rain: undamaged by the formation of ice on the enclosure
 - Type 12 – Indoor use to provide a degree of protection against dust, dirt, fiber flyings, dripping water and external condensation of non-corrosive liquids
 - Type 4 – Indoor or outdoor use to provide a degree of protection against falling rain, splashing water and hose-directed water; undamaged by the formation of ice on the enclosure
 - Type 4X – Indoor or outdoor use to provide a degree of protection against falling rain, splashing water and hose-directed water; undamaged by the formation of ice on the enclosure
- UL certification documents available at www.rittal-corp.com
 - By searching using specific part number
 - By manually navigating to part number level



WM Wallmount Enclosures

Models/Drawings

Available formats (effective June 2011)

BMP (2D View)	JPEG (3D View)	SAT (V5.0)
BMP (3D View)	Metafile 2D (PS2 V2)	SAT (V5.3)
CIP	Metafile 2D (V1)	SAT (V6.0)
DWF (ASCII 5.5)	Metafile 3D (PS3 V2)	STEP (AP203)
DWF (Binary 5.5)	MI (>=V8)	STEP (AP214a)
DWF (Compressed 5.5)	Parasolid (Binary V15)	STEP (AP214b)
DWG (>=V14)	Parasolid (Text V15)	STL
DWG (>=V14)	PDF 3D (7.01)	SVG
DXF (V12)	PDF Datasheet	TIFF (2D View)
DXF (V14)	Postscript EPS	TIFF (3D View)
HPGL (V2)	SAT (V2.0)	U3D (universal 3d)
IGES	SAT (V2.1)	VRML (>= V1.0)
IGES (>=V5.0)	SAT (V3.0)	XGL

- Available for download from www.rittal-corp.com
 - By searching using specific part number
 - By manually navigating to part number level
 - By linking to CADENAS PARTserver webpage from Rittal Corp. website (third-party, online CAD manager)



WM Wallmount Enclosures

Website

- Industrial Enclosures
 - Junction Boxes
 - Wallmount Enclosures
 - Carbon Steel - AE
 - Carbon Steel - WM**
 - Carbon Steel - CM
 - Modular Enclosures
 - Floormount and Freestanding Enclosures
 - Disconnect Enclosures
 - Stainless Steel Enclosures
 - Aluminum Enclosures
 - Non-Metallic Enclosures
 - Special Solutions
 - Operator Interface - Enclosures
 - Operator Interface - Support Arms and Pedestals
 - Operator Interface - Modular Consoles
 - Operator Interface - Desks and PC Enclosures
- Commercial Boxes and Wireway
- Climate Control for Enclosures
- Busbar Systems
- Data Center Solutions
- Outdoor Enclosures
- RittalXpress Program
- Software
- Service & Support
- Literature
- Events and Training
 - Find a Distributor
- About Rittal
- Admin
- Rittal RiSource Center

WM Single Door Wallmount Enclosure
Dimensions: 23.62H X 23.62W X 8.27D in [show in millimeters](#)
Part Number: 1060250
Color: Light Grey (RAL 7035)
Stock Level: LX (This product is RittalXpress.)

Click [here](#) to check up-to-date stock info.

The wallmount with superior design. Rittal's WM enclosure sets the standard for maximum use of space and ease of installation. Rittal's WM compact enclosures can be used for virtually any application. NEMA protection ratings are ensured through a secure locking system, foamed-on gasket, and knife-edge perimeter. Features include a body constructed of cold rolled steel, steel doors, and mounting panels.



[more images \(3\)](#)

www.rittal-corp.com

Part-Level Website Content

Features	Certifications	Downloads	Accessories	Contact
Product Features Configuration: One-piece enclosure body Left hand hinge 2 x 1/4 turn latches with slotted head inserts Zinc-plated mounting panel Rear wallmounting holes Foamed-in-place polyurethane gasket Material: Sheet steel 16 ga body 14 ga door Finish: Dipcoat-primed, powder-coated in textured RAL 7035 (light gray)				
Ratings IP 66 UL/cUL Type 1, 12, 3R, 4				

- Description
- Dimensions (may be shown in. or mm)
- Contact Rittal if there is a question about this product
- Commonly used accessories with this specific part number
- Downloads, including assembly instructions, models/drawings and videos
- Certification documents
- Features and ratings



WM Wallmount Enclosures

Accessories

Commonly used accessories

- Mounting brackets

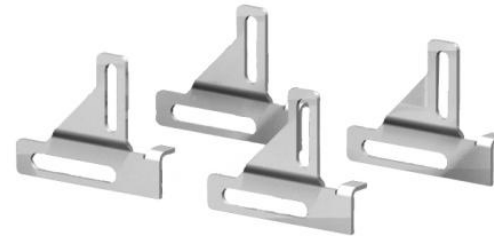
- 2503.200 – Sheet steel, zinc-plated, A = 1.6 in. (40 mm)
- 2508.200 – Sheet steel, zinc-plated, A = 0.4 in. (10 mm)
- 2433.000 – Type 304 SS, A = 0.4 in. (10 mm)
- 2433.500 – Type 316L SS, A = 0.4 in. (10 mm)
- WMUMB – Sheet steel, zinc-plated, used to match typical NEMA mounting pattern
- WMUMB6 – Type 316L SS, used to match typical NEMA mounting pattern
- WMSMB – Sheet steel, zinc-plated, mimics standard NEMA style flanges
- WMSMB6 – Type 316L SS, mimics standard NEMA style flanges



2503.200



WMSMB



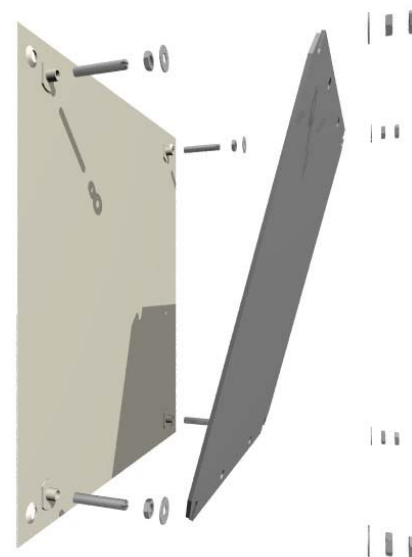
WMUMB

WM Wallmount Enclosures

Accessories

Commonly used accessories

- 180° hinges
 - 2449.000 – Die cast zinc
- Mounting panel
 - Zinc plated mounting panel included.
 - Painted white and stainless mounting panels available.
 - Part number scheme: WMMPxyy@
 - xx = height of WM enclosure
 - yy = width of WM enclosure
 - @ = W for white panels
 - @ = S6 for stainless panels
 - Note: eliminate @ for standard replacement panel



WM Wallmount Enclosures

Accessories

Commonly used accessories

▪ Handles

- Thumb-turn handles
 - 2576.000 – Key-locking (no. 3524E, 2 keys included), RAL 9011 (graphite black)
 - 2439.000 – Key-locking (no. 3524E, 2 keys included), RAL 1030 (stone gray)
 - 2533.000 – Non-Locking, RAL 9011 (graphite black)
 - WMQTPLS6 – Type 316L SS, pad-lockable
- T-Handles
 - 2575.000 – Key-locking (no. 3524E, 2 keys included), die-cast zinc, chrome-plated
 - 2572.000 – Non-locking, die-cast zinc, chrome-plated



WM Wallmount Enclosures

Accessories

Commonly used accessories

- Handles (continued)
 - L-Handles for 3-pt latch
 - WMLHNL – RAL 9011 (graphite black)
 - WMLHNLS6 – Type 316L stainless steel
 - WMLHPL – Pad-lockable, RAL 9011 (graphite black)
 - WMLHPLS6 – Pad-lockable, Type 316L stainless steel
 - WMLHKL – Key-locking, RAL 9011 (graphite black)
 - WMLHKLS6 – Key-locking, Type 316L stainless steel



WM Wallmount Enclosures

Accessories

Commonly used accessories

- Lock inserts (die-cast zinc)
 - 2460.000 – 0.28 in. (7 mm) square (key sold separately)
 - 2461.000 – 0.31 in. (8 mm) square (key sold separately)
 - 2462.000 – 0.28 in. (7 mm) triangle (key sold separately)
 - 2463.000 – 0.31 in. (8 mm) triangle (key sold separately)
 - 2466.000 – 0.1 in. (3 mm) double-bit (key sold separately)
 - 2571.000 – Key-locking (no. 3524E, 2 keys included)



WM Wallmount Enclosures

Accessories

Commonly used accessories

- Padlock hasps
 - WMPADCS – padlock hasp for carbon steel
 - WMPADS6 – padlock hasp for stainless steel
 - WMPADRCS – riveted padlock hasp for carbon steel
 - WMPADRS6 – riveted padlock hasp for stainless steel
 - 2493.000 – padlock hasp with integrated cover (for carbon steel WM only)



WMPADCS



WMPADRS6



2493.000

WM Wallmount Enclosures

Accessories

Commonly used accessories

- Dead front kits
 - Provides a touch safe barrier and mounting surface toward the front of WM enclosures
 - Carbon steel painted RAL 7035, light grey
 - 22 sizes available
- Window kits
 - Lexan windows with oil resistant gaskets
 - Carbon steel painted RAL 7035, light grey (NEMA 4)
 - Stainless steel type 304 & 316L (NEMA 4X)
 - 9 sizes available



WM Wallmount Enclosures

Accessories

Commonly used accessories (continued)

- Floor stand kits
 - For mounting wallmount enclosures to the floor to floormount standards
 - Carbon steel painted RAL 7035, light grey
 - Stainless steel type 304 & 316L
 - 18 sizes available
- Condensate drain
 - For reliable discharge of liquid from inside the enclosure
 - For protection against splashes from outside the enclosure
 - Polyamide
 - Painted similar to RAL 7035, light grey

